



Department of Procurement Services

160 South Hollywood Street · Room 126 · Memphis, TN 38112 · (901) 416-5376

QUESTIONS AND ANSWERS

IFB #02092024VK - FORD RD ES ANNEX FLOOR

1. Will there be any area plans, sketches, or measurements provided for the area of work?

ANSWER: Drawing PDF and Design Construction Guideline PDF is posted on the MSCS Procurement website.
[Procurement \(scsk12.org\)](http://scsk12.org)

2. The IFB states the replacement flooring material as "VCT/LVT". Which material will be used where?

ANSWER: LVT is preferred. Submit pricing for both.

3. Related to the size of the BASE.
Whether we need to go with the 6 inch (or) 4 inch? As per the scope, wall repairs are not included, so when the existing base is removed there will be damage to the wall and to cover that damage, we need to consider a bigger size of the BASE.

ANSWER: Use 4" base. There will be an allowance for patch and paint.

(CONTINUE TO PAGE 2)

4. Related to certified MWBE vendors list.

Please refer to the below screenshot (PART 1: Scope of Work, Detail 6), where it is specified that the subcontractors should be certified under City of Memphis / Shelby County Govt. So, can we refer to the websites of City of Memphis and Shelby County for the MWBE Directory list (mentioned below) (or) we just need to refer to the Memphis-Shelby County Schools link (highlighted in yellow) for the certified MWBE vendors.

6.0 MINORITY AND WOMEN-OWNED BUSINESS ENTERPRISES UTILIZATION

SCBE has set a Minority or Woman-owned Business Enterprises goal of **11.7%** for this project, **the Bidder shall take affirmative action to ensure that minority-owned and women-owned businesses, which have been certified by the City of Memphis, Shelby County Government and/or Memphis-Shelby County Airport Authority, are utilized when possible as sources of supplies, equipment, construction and services for Memphis-Shelby County Schools. Please see Appendix I - MINORITY AND WOMEN-OWNED BUSINESS ENTERPRISES UTILIZATION. All relative forms in Appendix I must be completed and submitted with the bid. If the relative forms are not completed and submitted with the bid, the bid will be an invalid bid. Please note that the non-expired certificate is to be submitted with the bid.**

To access Memphis-Shelby County Schools list of certified MWBE vendors, please use the link below.

Go to the bottom page under MWBE Directory Listing and click the "Certified MWBE Listing".

<http://www.scsk12.org/mwbe/index>

City of Memphis: <https://memphis.mwsbe.com/>

Shelby County Govt: <https://apps.shelbycountyttn.gov/EOCListings/>

ANSWER:

We would recommend that the Bidder use MSCS certified MWBE list only. Please take a look at our response below as stated on the Appendix page of the MWBE section.

ELIGIBLE MWBE FIRMS

IT IS THE RESPONSIBILITY OF THE BIDDER, CONTRACTOR, OR RESPONDENT AND THE BIDDER, CONTRACTOR, OR RESPONDENT MUST VERIFY WITH MEMPHIS-SHELBY COUNTY SCHOOLS (CONTACT INFO BELOW) THAT ANY MWBE FIRM(S) UTILIZED TO MEET THE PARTICIPATION GOAL ARE CERTIFIED AS A MWBE FIRM WITHIN SHELBY COUNTY. A listing of current MWBE certified firms can be found on Memphis-Shelby County Schools Department of Minority & Women-Owned Business Enterprises webpage <http://www.scsk12.org/mwbe/>. To find the best results from the **Certified Vendor Directory**, it is recommended to download the entire directory including commodity codes. One or a combination of several MWBEs may be utilized to meet the established project goal. For purposes of this program the MWBE-owner must reside within the Shelby County and possess a Shelby County, Tennessee business license.

(CONTINUE TO PAGE 3)

5. Related to Sub-floor condition.

Please clarify, as per the scope it is mentioned that we need to demo the sub floor but cutting it out of about $\frac{3}{4}$ inch and replace it with the $\frac{3}{4}$ inch plywood.

a. This is applied to the entire floor area (or) do we have slab at any areas?

ANSWER: Yes, at entrances.

b. Do we need to repair any joists or framing underneath it which support the sub floor?

ANSWER: Yes, if needed.

6. Related to Server room quipment.

Please refer to the photo below – the server rack is floor mounted, so do we need to cut around it and replace it with the new floor tile (or) do we need to completely remove the rack and replace the whole area?

ANSWER: Leave server rack in place and cut around it.



(CONTINUE TO PAGE 4)

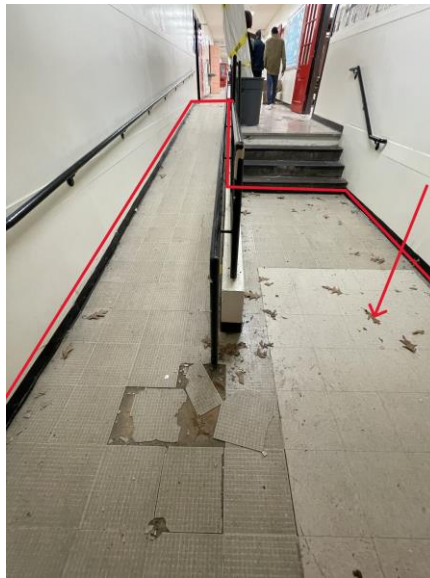
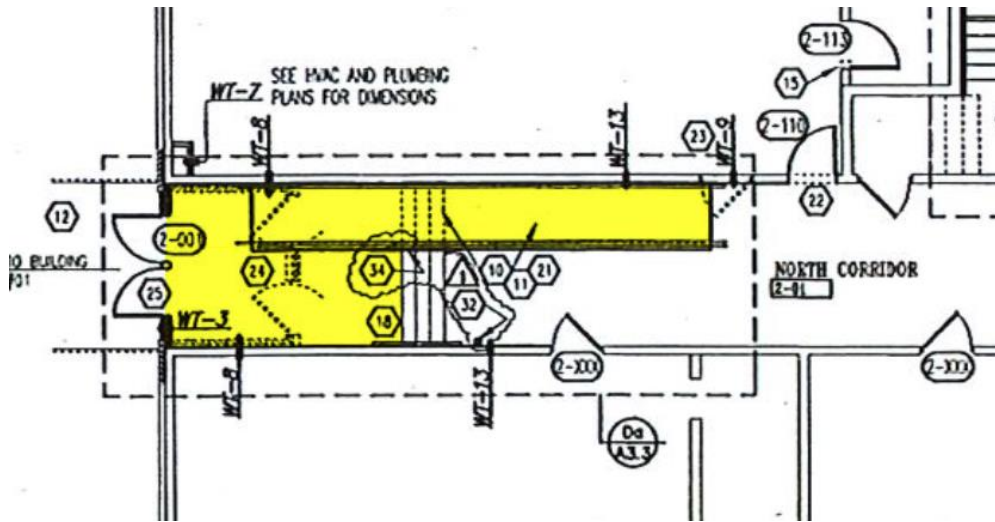
7. Related to Tiles on the ADA Ramp and at the north entrance hall. Please refer to the below screenshot and the site photo.

- a. For the ramp we need to remove just the Anti-Skid tiles and replace them with new tile which means no demo of the plywood or sub-floor beneath the ramp area.

ANSWER: Yes, put back Anti-Skid tiles in that area.

- b. The whole yellow highlighted area needs to be replaced with Anti-skid tiles (or) it is only limited to the ramp area.

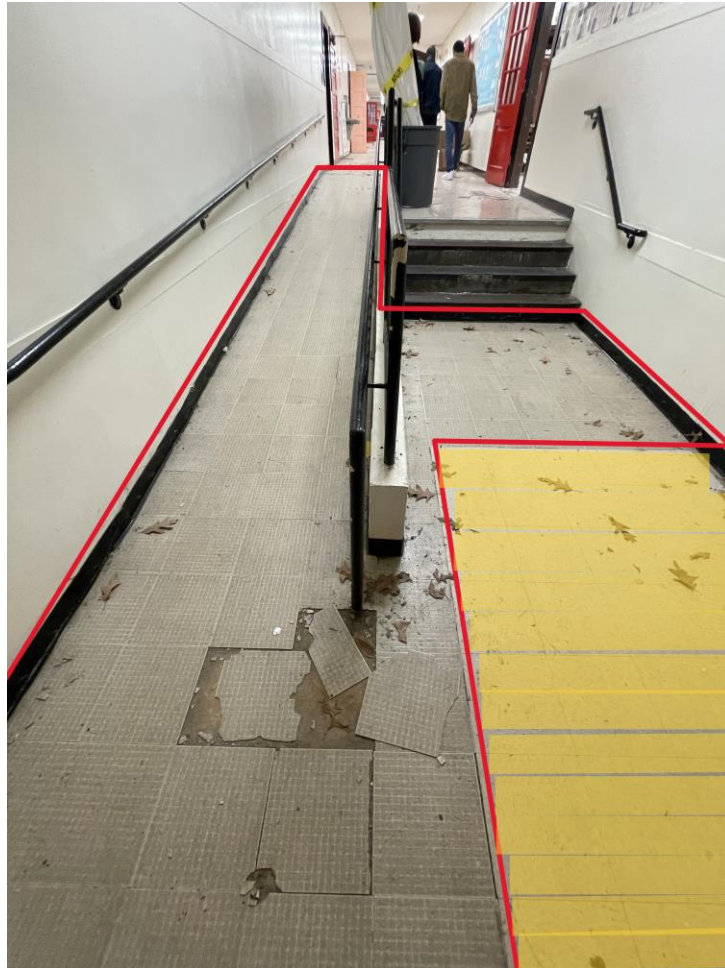
ANSWER: Just, the ramp area.



(CONTINUE TO PAGE 5)

- c. Please refer to the below site photo. As per existing conditions, the area marked in red is completely Anti-Skid tiles, and yellow highlight is the VCT. Do we need to match the existing pattern while replacing the new flooring (or) can the complete area be Anti-skid tiles?

ANSWER: Just, the ramp area. New Anti-Skid rubber treads on stairs.



Thank you,

Procurement Services